

PARTS LIST

CAUTION

- The parts identified by the \triangle symbol are important for the safety. Whenever replacing these parts, be sure to use specified ones to secure the safety .
- The parts not indicated in this Parts List and those which are filled with lines — in the Parts No. columns will not be supplied.
- P. W. Board Ass'y will not be supplied, but those which are filled with the Parts No. in the Parts No. columns will be supplied.

ABBREVIATIONS OF RESISTORS, CAPACITORS AND TOLERANCES

RESISTORS		CAPACITORS	
C R	Carbon Resistor	C CAP.	Ceramic Capacitor
F R	Fusible Resistor	E CAP.	Electrolytic Capacitor
P R	Plate Resistor	M CAP.	Mylar Capacitor
V R	Variable Resistor	HV CAP.	High Voltage Capacitor
HV R	High Voltage Resistor	MF CAP.	Metalized Film Capacitor
MF R	Metal Film Resistor	MM CAP.	Metalized Mylar Capacitor
MG R	Metal Glazed Resistor	MP CAP.	Metalized Polystyrol Capacitor
MP R	Metal Plate Resistor	PP CAP.	Polypropylene Capacitor
OM R	Metal Oxide Film Resistor	PS CAP.	Polystyrol Capacitor
CMF R	Coating Metal Film Resistor	TF CAP.	Thin Film Capacitor
UNF R	Non-Flammable Resistor	MPP CAP.	Metalized Polypropylene Capacitor
CH V R	Chip Variable Resistor	TAN. CAP.	Tantalum Capacitor
CH MG R	Chip Metal Glazed Resistor	CH C CAP.	Chip Ceramic Capacitor
COMP. R	Composition Resistor	BP E CAP.	Bi-Polar Electrolytic Capacitor
LPTC R	Linear Positive Temperature Coefficient Resistor	CH AL E CAP.	Chip Aluminum Electrolytic Capacitor
		CH AL BP CAP.	Chip Aluminum Bi-Polar Capacitor
		CH TAN. E CAP.	Chip Tantalum Electrolytic Capacitor
		CH AL BP E CAP.	Chip Tantalum Bi-Polar Electrolytic Capacitor

TOLERANCES									
F	G	J	K	M	N	R	H	Z	P
±1%	±2%	±5%	±10%	±20%	±30%	+30% -10%	+50% -10%	+80% -20%	+100% -0%

CONTENTS

- USING PW BOARD & REMOTE CONTROL UNIT 32
- EXPLODED VIEW PARTS LIST 32
- EXPLODED VIEW 33
- PRINTED WIRING BOARD PARTS LIST

[AV-21LTR1 / AV-2104TEE]

- MAIN PW BOARD ASS'Y (SCG-1302A-H2) (With CRT SOCKET PW BOARD) 34

[AV-21LTT1]

- MAIN PW BOARD ASS'Y (SCG-1308A-H2) (With CRT SOCKET PW BOARD) 38
- PACKING / PACKING PARTS LIST 42
- REMOTE CONTROL UNIT PARTS LIST 42

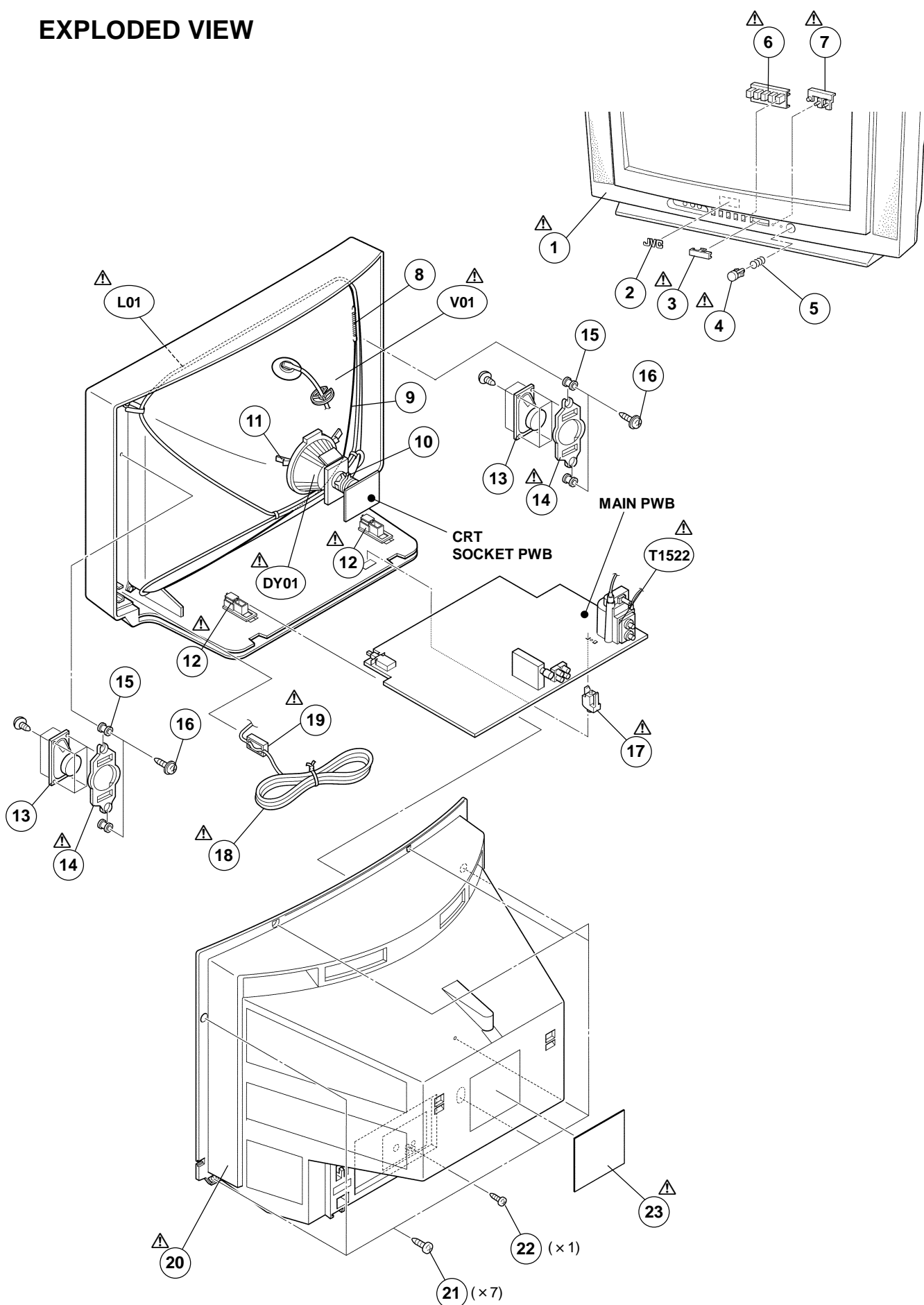
USING PW BOARD & REMOTE CONTROL UNIT

Model	AV-21LTR1	AV-2104TEE	AV-21LTT1
PWB ASS'Y			
MAIN PWB	SCG-1302A-H2	←	SCG-1308A-H2
REMOTE CONTROL UNIT	RM-C90-1H	←	←

EXPLODED VIEW PARTS LIST

△ Ref.No.	Part No.	Part Name	Description
△ V01	A51QDX992X	PICTURE TUBE(C)	
△ L01	QQW0125-001	DEG COIL	
△ DY01	QQD0068-001	DEF YOKE	
△ T1522	QQH0069-001	H.V.TRANSF.	
△ 1	GG10129-012A-H	FRONT CABINET	
△ 2	CM48125-009	JVC MARK	
△ 3	GG30020-001A-H	E. E. WINDOW	
△ 4	GG30019-001B-H	POWER KNOB	
△ 5	CM35235-003-H	SPRING	
△ 6	GG20006-001A-H	CONTROL KNOB	
△ 7	GG30021-002A-H	LED LENS	
△ 8	A48457-3-H	SPRING	
△ 9	CHGB0016-0B-FH	BRAIDED WIRE	
△ 10	A75034-B	P.C.MAGNET	
△ 11	CE40764-00A	WEDGE ASSY	(×3)
△ 12	CM36623-B01-H	CHASSIS RAIL	(×2)
△ 13	QAS0032-001	SPEAKER	(×2)SP01
△ 14	LC20371-001D-H	SP HOLDER	(×2)
△ 15	LC40226-003A-H	SPACER	(×4)
△ 16	LC40317-002A-H	TAPPING SCREW	(×4)
△ 17	CM48144-002-H	PWB STOPPER	
△ 18	QMP40D0-200J5	POWER CORD	
△ 19	CM47005-A01-H	POWER CORD CLAMP	
△ 20	GG10130-005A-H	REAR COVER	
△ 21	QYSBSFG4016Z	TAPPING SCREW	(×7)
△ 22	QYSBSF3010Z	TAPPING SCREW	(×1)
△ 23	LC20377-010B-H	RATING LABEL	[AV-21LTR1]
△ 23	LC20377-001B-H	RATING LABEL	[AV-21LTT1]
△ 23	LC20377-009B-H	RATING LABEL	[AV-2104TEE]

EXPLODED VIEW



PRINTED WIRING BOARD PARTS LIST

[AV-21LTR1 / AV-2104TEE]

MAIN P.W. BOARD ASS'Y (SCG-1302A-H2)

△ Symbol No.	Part No.	Part Name	Description
RESISTOR			
R1002-03	NRSA02J-221X	MG R	220Ω 1/10W J
R1004	NRSA02J-563X	MG R	56kΩ 1/10W J
R1102	NRSA02J-750X	MG R	75Ω 1/10W J
R1103	NRSA02J-100X	MG R	10Ω 1/10W J
R1109	NRSA02J-682X	MG R	6.8kΩ 1/10W J
R1110	NRSA02J-272X	MG R	2.7kΩ 1/10W J
R1111	NRSA02J-181X	MG R	180Ω 1/10W J
R1112	NRSA02J-100X	MG R	10Ω 1/10W J
R1113	NRSA02J-101X	MG R	100Ω 1/10W J
R1114	NRSA02J-472X	MG R	4.7kΩ 1/10W J
R1115	NRSA02J-222X	MG R	2.2kΩ 1/10W J
R1117	NRSA02J-0R0X	MG R	0.0Ω 1/10W J
R1118	NRSA02J-222X	MG R	2.2kΩ 1/10W J
R1120	NRSA02J-391X	MG R	390Ω 1/10W J
R1121	NRSA02J-221X	MG R	220Ω 1/10W J
R1159	NRSA02J-184X	MG R	180kΩ 1/10W J
R1301	NRSA02J-221X	MG R	220Ω 1/10W J
R1302	NRSA02J-472X	MG R	4.7kΩ 1/10W J
R1303-05	NRSA02J-101X	MG R	100Ω 1/10W J
R1306	NRSA02J-221X	MG R	220Ω 1/10W J
R1307	NRSA02J-122X	MG R	1.2kΩ 1/10W J
R1308	NRSA02J-182X	MG R	1.8kΩ 1/10W J
R1312	NRSA02J-0R0X	MG R	0.0Ω 1/10W J
R1313-14	NRSA02J-102X	MG R	1kΩ 1/10W J
R1321	NRSA02J-152X	MG R	1.5kΩ 1/10W J
R1322	NRSA02J-272X	MG R	2.7kΩ 1/10W J
R1323	NRSA02J-103X	MG R	10kΩ 1/10W J
R1324	NRSA02J-102X	MG R	1kΩ 1/10W J
R1326	NRSA02J-101X	MG R	100Ω 1/10W J
R1327	NRSA02J-475X	MG R	4.7MΩ 1/10W J
R1333	NRSA02J-681X	MG R	680Ω 1/10W J
R1341	NRSA02J-332X	MG R	3.3kΩ 1/10W J
R1347	NRSA02J-392X	MG R	3.9kΩ 1/10W J
R1349	NRSA02J-472X	MG R	4.7kΩ 1/10W J
R1351-53	NRSA02J-151X	MG R	150Ω 1/10W J
R1354-56	NRSA02J-331X	MG R	330Ω 1/10W J
R1357-59	NRSA02J-101X	MG R	100Ω 1/10W J
R1360	QRZ0107-152Z	C R	1.5kΩ 1/2W K
R1362	QRZ0107-152Z	C R	1.5kΩ 1/2W K
R1363-65	QRL029J-123	OM R	12kΩ 2W J
R1366-68	NRSA02J-182X	MG R	1.8kΩ 1/10W J
R1372	NRSA02J-682X	MG R	6.8kΩ 1/10W J
R1373	NRSA02J-102X	MG R	1kΩ 1/10W J
R1374	NRSA02J-472X	MG R	4.7kΩ 1/10W J
R1375	NRSA02J-153X	MG R	15kΩ 1/10W J
R1376	NRSA02J-562X	MG R	5.6kΩ 1/10W J
R1377-79	NRSA02J-104X	MG R	100kΩ 1/10W J
R1380-82	NRSA02J-154X	MG R	150kΩ 1/10W J
R1383	NRSA02J-273X	MG R	27kΩ 1/10W J
R1384	NRSA02J-472X	MG R	4.7kΩ 1/10W J
R1385	NRSA02J-123X	MG R	12kΩ 1/10W J
R1401	NRSA02J-103X	MG R	10kΩ 1/10W J
R1421-22	NRSA02J-122X	MG R	1.2kΩ 1/10W J
R1424	NRSA02J-101X	MG R	100Ω 1/10W J
R1425	NRSA02J-471X	MG R	470Ω 1/10W J
R1426	NRSA02J-0R0X	MG R	0.0Ω 1/10W J
R1430	NRSA02J-823X	MG R	82kΩ 1/10W J
R1431	NRSA02J-103X	MG R	10kΩ 1/10W J
R1432-33	QRE121J-2R7Y	C R	2.7Ω 1/2W J
R1436	NRSA02J-823X	MG R	82kΩ 1/10W J
R1437	NRSA02J-822X	MG R	8.2kΩ 1/10W J
R1438	NRSA02J-223X	MG R	22kΩ 1/10W J
R1439	NRSA02J-104X	MG R	100kΩ 1/10W J
R1440	QRE121J-471Y	C R	470Ω 1/2W J
R1441	NRSA02J-822X	MG R	8.2kΩ 1/10W J
R1442	NRSA02J-103X	MG R	10kΩ 1/10W J
R1443	QRE121J-1R0Y	C R	1.0Ω 1/2W J

△ Symbol No.	Part No.	Part Name	Description
RESISTOR			
R1453	NRSA02J-272X	MG R	2.7kΩ 1/10W J
R1501	QRE121J-101Y	C R	100Ω 1/2W J
R1502	NRSA02J-0R0X	MG R	0.0Ω 1/10W J
R1503	NRSA02J-682X	MG R	6.8kΩ 1/10W J
R1521	NRSA02J-681X	MG R	680Ω 1/10W J
R1522	NRSA02J-103X	MG R	10kΩ 1/10W J
R1524-25	QRL02EJ-820X	OM R	82Ω 2W J
R1526	QRE121J-270Y	C R	27Ω 1/2W J
R1528	QRE121J-471Y	C R	470Ω 1/2W J
R1530	QRE121J-223Y	C R	22kΩ 1/2W J
R1531	NRSA02J-472X	MG R	4.7kΩ 1/10W J
R1532	NCB31HK-103X	C CAP.	0.01μF 50V K
R1533-34	NRSA02J-332X	MG R	3.3kΩ 1/10W J
△ R1551	QRZ9011-1R0	F R	1.0 Ω 1/2W J
△ R1552	QRJ146J-2R2X	C R	2.2Ω 1/4W J
R1554	QRE121J-681Y	C R	680Ω 1/2W J
R1571	QRE121J-222Y	C R	2.2kΩ 1/2W J
R1573-74	QRT02EJ-1R5X	MF R	1.5Ω 2W J
R1576	QRE121J-223Y	C R	22kΩ 1/2W J
R1577	NRSA02J-392X	MG R	3.9kΩ 1/10W J
R1578	NRSA02J-103X	MG R	10kΩ 1/10W J
R1581	QRE121J-182Y	C R	1.8kΩ 1/2W J
△ R1582	NRSA02J-223X	MG R	22kΩ 1/10W J
R1583	NRSA02J-393X	MG R	39kΩ 1/10W J
R1651	NRSA02J-103X	MG R	10kΩ 1/10W J
R1652	NRSA02J-102X	MG R	1kΩ 1/10W J
R1653	QRE121J-1R0Y	C R	1.0Ω 1/2W J
R1654	QRX029J-4R7	MF R	4.7Ω 2W J
R1656	NRSA02J-123X	MG R	12kΩ 1/10W J
R1657	NRSA02J-391X	MG R	390Ω 1/10W J
R1658-59	NRSA02J-102X	MG R	1kΩ 1/10W J
R1660	NRSA02J-103X	MG R	10kΩ 1/10W J
R1661-62	QRE121J-271Y	C R	270Ω 1/2W J
R1664	NRSA02J-221X	MG R	220Ω 1/10W J
R1665	NRSA02J-103X	MG R	10kΩ 1/10W J
R1701	NRSA02J-562X	MG R	5.6kΩ 1/10W J
R1702	NRSA02J-682X	MG R	6.8kΩ 1/10W J
R1703	NRSA02J-392X	MG R	3.9kΩ 1/10W J
R1704-05	NRSA02J-221X	MG R	220Ω 1/10W J
R1706-07	NRSA02J-561X	MG R	560Ω 1/10W J
R1708	NRSA02J-102X	MG R	1kΩ 1/10W J
R1709-14	NRSA02J-472X	MG R	4.7kΩ 1/10W J
R1715-16	NRSA02J-221X	MG R	220Ω 1/10W J
R1718	NRSA02J-561X	MG R	560Ω 1/10W J
R1719	NRSA02J-102X	MG R	1kΩ 1/10W J
R1720	NRSA02J-472X	MG R	4.7kΩ 1/10W J
R1721	NRSA02J-103X	MG R	10kΩ 1/10W J
△ R1723	QRZ9023-270	F R	27Ω 2W J
R1725	NRSA02J-102X	MG R	1kΩ 1/10W J
R1726	NRSA02J-472X	MG R	4.7kΩ 1/10W J
R1727	NRSA02J-153X	MG R	15kΩ 1/10W J
R1728-29	NRSA02J-102X	MG R	1kΩ 1/10W J
R1730	NRSA02J-103X	MG R	10kΩ 1/10W J
R1731	NRSA02J-472X	MG R	4.7kΩ 1/10W J
R1736	NRSA02J-823X	MG R	82kΩ 1/10W J
R1737	NRSA02J-104X	MG R	100kΩ 1/10W J
R1738-39	NRSA02J-103X	MG R	10kΩ 1/10W J
R1740	NRSA02J-392X	MG R	3.9kΩ 1/10W J
R1741	NRSA02J-561X	MG R	560Ω 1/10W J
R1742	NRSA02J-563X	MG R	56kΩ 1/10W J
R1745	NRSA02J-472X	MG R	4.7kΩ 1/10W J
R1746	NRSA02J-103X	MG R	10kΩ 1/10W J
R1747	NRSA02J-0R0X	MG R	0.0Ω 1/10W J
R1748	NRSA02J-103X	MG R	10kΩ 1/10W J
R1749	NRSA02J-472X	MG R	4.7kΩ 1/10W J
R1771-72	NRSA02J-821X	MG R	820Ω 1/10W J
R1791-95	NRSA02J-221X	MG R	220Ω 1/10W J

[AV-21LTR1 / AV-2104TEE]

△ Symbol No. Part No. Part Name Description

RESISTOR

R1796	NRSA02J-154X	MG R	150kΩ 1/10W J
R1797	NRSA02J-153X	MG R	15kΩ 1/10W J
R1802	NRSA02J-750X	MG R	75Ω 1/10W J
R1806	QRE121J-271Y	C R	270Ω 1/2W J
R1807	NRSA02J-680X	MG R	68Ω 1/10W J
R1810	QRG01GJ-560	OM R	56Ω 1W J
R1811	NRSA02J-221X	MG R	220Ω 1/10W J
R1815	QRE121J-181Y	C R	180Ω 1/2W J
R1816	NRSA02J-681X	MG R	680Ω 1/10W J
R1817	NRSA02J-472X	MG R	4.7kΩ 1/10W J
R1825	NRSA02J-221X	MG R	220Ω 1/10W J
R1827	NRSA02J-102X	MG R	1kΩ 1/10W J
R1828	NRSA02J-272X	MG R	2.7kΩ 1/10W J
R1830	NRSA02J-273X	MG R	27kΩ 1/10W J
R1831	NRSA02J-105X	MG R	1MΩ 1/10W J
R1832	NRSA02J-221X	MG R	220Ω 1/10W J
R1833	NRSA02J-822X	MG R	8.2kΩ 1/10W J
R1834	NRSA02J-393X	MG R	39kΩ 1/10W J
R1835	NRSA02J-182X	MG R	1.8kΩ 1/10W J
R1836	NRSA02J-473X	MG R	47kΩ 1/10W J
R1837	NRSA02J-393X	MG R	39kΩ 1/10W J
R1838	NRSA02J-103X	MG R	10kΩ 1/10W J
R1839	NRSA02J-472X	MG R	4.7kΩ 1/10W J
R1840	NRSA02J-331X	MG R	330Ω 1/10W J
R1841	NRSA02J-472X	MG R	4.7kΩ 1/10W J
R1842	NRSA02J-331X	MG R	330Ω 1/10W J
R1843	NRSA02J-472X	MG R	4.7kΩ 1/10W J
R1844	NRSA02J-331X	MG R	330Ω 1/10W J
R1845	NRSA02J-102X	MG R	1kΩ 1/10W J
R1846	NRSA02J-103X	MG R	10kΩ 1/10W J
R1847	NRSA02J-182X	MG R	1.8kΩ 1/10W J
R1848	NRSA02J-102X	MG R	1kΩ 1/10W J
R1849	NRSA02J-153X	MG R	15kΩ 1/10W J
△ R1901	QRF104K-3R9	UNF R	3.9Ω 10W K
R1903	QRL02EJ-683X	OM R	68kΩ 2W J
R1904	QRL03EJ-151X	OM R	150Ω 3W J
R1921	QRE121J-681Y	C R	680Ω 1/2W J
△ R1922	QRT029J-1R2	MF R	1.2Ω 2W J
R1923	QRMO59J-R22	MP R	0.22Ω 5W J
R1926	NRSA02J-222X	MG R	2.2kΩ 1/10W J
R1928	QRL03EJ-563X	OM R	56kΩ 3W J
R1929	QRE121J-822Y	C R	8.2kΩ 1/2W J
R1932	QRE121J-564Y	C R	560kΩ 1/2W J
R1933	QRE121J-220Y	C R	22Ω 1/2W J
R1934	NRSA02J-333X	MG R	33kΩ 1/10W J
R1936	QRG01GJ-561	OM R	560Ω 1W J
R1941	QRE121J-821Y	C R	820Ω 1/2W J
R1942	NRSA02J-122X	MG R	1.2kΩ 1/10W J
R1943	NRSA02J-473X	MG R	47kΩ 1/10W J
R1944	NRSA02J-103X	MG R	10kΩ 1/10W J
R1974	NRSA02J-222X	MG R	2.2kΩ 1/10W J
R1976	NRSA02J-102X	MG R	1kΩ 1/10W J
R1977	QRE121J-122Y	C R	1.2kΩ 1/2W J
R1978	NRSA02J-473X	MG R	47kΩ 1/10W J
R1979	QRT02EJ-1R2X	MF R	1.2Ω 2W J
R1980	QRL02EJ-103X	OM R	10kΩ 2W J
△ R1991	QRZ0057-825	C R	8.2MΩ 1W J

CAPACITOR

C1001	QETN1HM-106Z	E CAP.	10μF 50V M
C1002	NCB31HK-103X	C CAP.	0.01μF 50V K
C1004	QETN1CM-477Z	E CAP.	470μF 16V M
C1005	QFV71HJ-104Z	MF CAP.	0.1μF 50V J
C1008	QETN1HM-475Z	E CAP.	4.7μF 50V M
C1103	QETN1EM-476Z	E CAP.	47μF 25V M
C1104-07	NCB31HK-472X	C CAP.	4700pF 50V K
C1109	NCB31HK-472X	C CAP.	4700pF 50V K
C1110	NRSA02J-0R0X	MG R	0.0Ω 1/10W J
C1112	QETN1EM-476Z	E CAP.	47μF 25V M
C1113	NCB31HK-472X	C CAP.	4700pF 50V K

△ Symbol No. Part No. Part Name Description

CAPACITOR

C1115-16	NCB31HK-103X	C CAP.	0.01μF 50V K
C1117	QFV71HJ-224Z	MF CAP.	0.22μF 50V J
C1119	QETN1HM-474Z	E CAP.	0.47μF 50V M
C1120	NDC31HJ-121X	C CAP.	120pF 50V J
C1121-22	NCB31HK-103X	C CAP.	0.01μF 50V K
C1162	NCB31HK-152X	CHIP CAP.	1500pF 50V K
C1301	NCB21HK-123X	C CAP.	0.012μF 50V K
C1302	QETN1HM-475Z	E CAP.	4.7μF 50V M
C1303	NDC31HJ-100X	C CAP.	10pF 50V J
C1304	QFV71HJ-474Z	MF CAP.	0.47μF 50V J
C1305	QETN1HM-474Z	E CAP.	0.47μF 50V M
C1306	NCB31HK-103X	C CAP.	0.01μF 50V K
C1307	QETN1CM-477Z	E CAP.	470μF 16V M
C1308	QETN1CM-107Z	E CAP.	100μF 16V M
C1309	NCB31HK-103X	C CAP.	0.01μF 50V K
C1310	NDC31HJ-221X	C CAP.	220pF 50V J
C1311	NCB31HK-103X	C CAP.	0.01μF 50V K
C1312	QENC1HM-474Z	BP E CAP.	0.47μF 50V M
C1313	QETN1HM-335Z	E CAP.	3.3μF 50V M
C1314	NCB31HK-103X	C CAP.	0.01μF 50V K
C1315	QETN1CM-107Z	E CAP.	100μF 16V M
C1316	QETN1HM-106Z	E CAP.	10μF 50V M
C1317	NCB31EK-473X	CHIP CAP.	0.047μF 25V K
C1321	NDC31HJ-120X	C CAP.	12pF 50V J
C1322	NCB21HK-273X	C CAP.	0.027μF 50V K
C1323	QETN1HM-474Z	E CAP.	0.47μF 50V M
C1324	QETN1HM-106Z	E CAP.	10μF 50V M
C1325	QENC1HM-106Z	BP E CAP.	10μF 50V M
C1326	NCS21HJ-221X	C CAP.	220pF 50V J
C1341	QETN1HM-106Z	E CAP.	10μF 50V M
△ C1352	QFZ0097-103	MM CAP.	0.01μF 1250V K
C1354	NDC31HJ-271X	C CAP.	270pF 50V J
C1355	NDC31HJ-221X	C CAP.	220pF 50V J
C1356	NDC31HJ-331X	C CAP.	330pF 50V J
C1357	QETN1AM-477Z	E CAP.	470μF 10V M
C1365-67	QENC1HM-105Z	BP E CAP.	1μF 50V M
C1401	QFV71HJ-474Z	MF CAP.	0.47μF 50V J
C1402	QFV71HJ-104Z	MF CAP.	0.1μF 50V J
C1422	QETN1HM-105Z	E CAP.	1μF 50V M
C1423	QCS32HJ-180Z	C CAP.	18pF 500V J
C1424	QFLC2AJ-103Z	M CAP.	0.01μF 100V J
C1426	QFLC1HJ-102Z	M CAP.	1000pF 50V J
C1427	QETN1VM-107Z	E CAP.	100μF 35V M
C1428	QEHR1VM-107Z	E CAP.	100μF 35V M
C1429	QETN1HM-106Z	E CAP.	10μF 50V M
C1430	QFN32AJ-472Z	M CAP.	4700pF 100V J
C1433	QEHR1HM-475Z	E CAP.	4.7μF 50V M
C1435	QETM1EM-228	E CAP.	2200μF 25V M
C1436	QFV71HJ-334Z	MF CAP.	0.33μF 50V J
C1501	QETN1HM-476Z	E CAP.	47μF 50V M
C1502	NCB31HK-103X	C CAP.	0.01μF 50V K
C1503	QETN1HM-106Z	E CAP.	10μF 50V M
C1504	QETN1CM-227Z	E CAP.	220μF 16V M
C1523	QTMN1VM-476Z	E CAP.	47μF 35V M
△ C1525	QFZ0200-90Z	MPP CAP.	9000pF1.5KVH ±3%
C1526	QTMN1EM-337Z	E CAP.	330μF 25V M
△ C1527	QFZ0199-154	MPP CAP.	0.15μF 250V J
C1528	QETN2EM-475Z	E CAP.	4.7μF 250V M
C1530	QCB32HK-561Z	C CAP.	560pF 500V K
C1531	QEZO203-107	E CAP.	100μF 160V M
C1552	QETM1VM-108	E CAP.	1000μF 35V M
C1554	QETN2EM-475Z	E CAP.	4.7μF 250V M
C1555	QFLC2AJ-104Z	M CAP.	0.1μF 100V J
C1571	QETN1AM-107Z	E CAP.	100μF 10V M
C1572	QETN1EM-476Z	E CAP.	47μF 25V M
C1581	QFV71HJ-104Z	MF CAP.	0.1μF 50V J
△ C1582	QFZ0199-124	MPP CAP.	0.12μF 250V J
C1651	QTN1CM-105Z	E CAP.	1.0μF 50V M
C1652-53	QEHR1HM-106Z	E CAP.	10μF 50V M
C1654	NCB21HK-104X	CHIP CAP.	0.1μF 50V K
C1655	QEHR1VM-228	E CAP.	2200μF 35V M
C1656	QEHR1EM-477Z	E CAP.	470μF 25V M

[AV-21LTR1 / AV-2104TEE]

Symbol No.	Part No.	Part Name	Description
CAPACITOR			
C1658	QETN1HM-226Z	E CAP.	22µF 50V M
C1659	QETN1CM-107Z	E CAP.	100µF 16V M
C1663	QEHR1HM-106Z	E CAP.	10µF 50V M
C1664	NCB21HK-104X	CHIP CAP.	0.1µF 50V K
C1665	QEHR1HM-105Z	E CAP.	1µF 50V M
C1701	QETN1HM-106Z	E CAP.	10µF 50V M
C1705	QETN1CM-477Z	E CAP.	470µF 16V M
C1706	NCB21EK-104X	C CAP.	0.1µF 25V K
C1707	NCB31HK-103X	C CAP.	0.01µF 50V K
C1708	QETN1EM-476Z	E CAP.	47µF 25V M
C1709	NCB31HK-103X	C CAP.	0.01µF 50V K
C1710	QETN1CM-107Z	E CAP.	100µF 16V M
C1711-13	NCB31HK-103X	C CAP.	0.01µF 50V K
C1714-15	NDC31HJ-330X	C CAP.	330pF 50V J
C1716-17	NDC31HJ-181X	C CAP.	180pF 50V J
C1718	NCB31HK-103X	C CAP.	0.01µF 50V K
C1719	QETN1HM-105Z	E CAP.	1µF 50V M
C1720	NCB31HK-103X	C CAP.	0.01µF 50V K
C1721	NCB21HK-333X	C CAP.	0.033µF 50V K
C1722	NDC31HJ-101X	C CAP.	100pF 50V J
C1724	NDC31HJ-560X	C CAP.	560pF 50V J
C1728-29	NDC31HJ-181X	C CAP.	180pF 50V J
C1730	NCB31HK-103X	C CAP.	0.01µF 50V K
C1738	QETN1HM-226Z	E CAP.	22µF 50V M
C1741-43	QETN1HM-106Z	E CAP.	10µF 50V M
C1744	NCB31HK-103X	C CAP.	0.01µF 50V K
C1805	QETN1CM-227Z	E CAP.	220µF 16V M
C1806	QETN1CM-477Z	E CAP.	470µF 16V M
C1811	QETN1HM-106Z	E CAP.	10µF 50V M
C1821	QETN1CM-107Z	E CAP.	100µF 16V M
C1822	NCB31HK-103X	C CAP.	0.01µF 50V K
C1823	NDC31HJ-330X	C CAP.	330pF 50V J
C1824	NDC31HJ-390X	C CAP.	390pF 50V J
C1825	QETN1HM-105Z	E CAP.	1µF 50V M
C1826	NCB21HK-333X	C CAP.	0.033µF 50V K
C1828-29	NCB31HK-103X	C CAP.	0.01µF 50V K
C1830	NDC31HJ-470X	C CAP.	470pF 50V J
C1831	QFV71HJ-334Z	MF CAP.	0.33µF 50V J
C1832	NCB31HK-103X	C CAP.	0.01µF 50V K
C1833	NDC31HJ-680X	C CAP.	680pF 50V J
C1834	NDC31HJ-330X	C CAP.	330pF 50V J
C1835	NDC31HJ-221X	C CAP.	220pF 50V J
C1836-38	QETN1HM-335Z	E CAP.	3.3µF 50V M
C1839	NDC31HJ-471X	C CAP.	470pF 50V J
C1841	NCB31HK-152X	CHIP CAP.	1500pF 50V K
C1843-49	NCB31HK-103X	C CAP.	0.01µF 50V K
△ C1901	QFZ9040-104	MF CAP.	0.1µF AC275V M
△ C1904	QCZ9078-222	C CAP.	2200pFAC250V M
△ C1905	QCZ9078-222	C CAP.	2200pFAC250V M
△ C1907	QCZ9078-222	C CAP.	2200pFAC250V M
△ C1909	QEZ0199-127	E CAP.	120µF 400V M
△ C1910	QFZ9040-473	MF CAP.	0.047µFAC275V M
C1922	QFLC1HJ-471Z	M CAP.	470pF 50V J
C1924	QETN1VM-107Z	E CAP.	100µF 35V M
C1926	QFLC1HJ-332Z	M CAP.	3300pF 50V J
C1928	NCB21HK-473X	C CAP.	0.047µF 50V K
C1929	QFP32GJ-223Z	PP CAP.	0.022µF 400V J
C1930	QCZ0325-561	C CAP.	560pF 2kV K
C1931-32	QCZ0325-151	C CAP.	1500pF 2kV K
C1941	QCZ0122-561	C CAP.	560pF 2kV K
C1942	QEZO420-107	E CAP.	100µF 160V M
C1945	QEHR1CM-108Z	E CAP.	1000µF 16V M
C1946	QEHR1CM-477Z	E CAP.	470µF 16V M
C1948	QEHR1VM-108Z	E CAP.	1000µF 35V M
C1949	NDC31HJ-471X	C CAP.	470pF 50V J
C1950	NCB21HK-104X	CHIP CAP.	0.1µF 50V K
C1971	QETN1HM-226Z	E CAP.	22µF 50V M
C1976	QETN1HM-105Z	E CAP.	1µF 50V M
C1977	QETN1CM-477Z	E CAP.	470µF 16V M
C1978	QETN1CM-227Z	E CAP.	220µF 16V M
C1979	QETN1CM-107Z	E CAP.	100µF 16V M
△ C1991	QCZ9079-102	C CAP.	1000pFAC250V M

Symbol No.	Part No.	Part Name	Description
CAPACITOR			
△ C1992	QCZ9079-102	C CAP.	1000pFAC250V M
△ C1993	QCZ9079-102	C CAP.	1000pFAC250V M
TRANSFORMER			
△ T1522	QQH0069-001	H. V. TRANSF.	
△ T1921	QSQ0050-001	SWITCH. TRANSF.	
COIL			
L1001	QQL244K-8R2Z	COIL	8.2µH K
L1101	QQLZ014-2R2	PEAKING COIL	
L1103	QQL244K-8R2Z	COIL	8.2µH K
L1331	QQL244K-470Z	COIL	47µH K
L1522	QQR1005-004	LINEARITY COIL	
L1523	QQL342J-2R2Z	INDUCTOR	
L1551	QQLZ034-860	HEATER CHOKE	
L1701	QQL244J-5R6Z	COIL	5.6µH J
L1821	QQL244J-5R6Z	COIL	5.6µH J
L1941	QQL26AK-820Z	COIL	82µH K
L1942-43	QQL26AK-820Z	COIL	82µH K
DIODE			
D1001	MA3330/L/-X	ZENER DIODE	
D1102	MA859-T2	SI. DIODE	
D1301-02	MA3091/M/-X	ZENER DIODE	
D1305	RB100A-T2	SI. DIODE	
D1306	1SR124-400A-T2	SI. DIODE	
D1341-42	MA111-X	SI. DIODE	
D1372-73	MA111-X	SI. DIODE	
D1421-22	MA3360/M/-X	ZENER DIODE	
D1423	1SR124-400A-T2	SI. DIODE	
D1424-25	MA111-X	SI. DIODE	
D1427	MA3270/H/-X	ZENER DIODE	
D1551	RGP10J-TS-T3	SI. DIODE	
D1552	RH15-T3	SI. DIODE	
D1553	MA3091/M/-X	ZENER DIODE	
D1554	MA111-X	SI. DIODE	
D1555	1SR124-400A-T2	SI. DIODE	
D1571	MA3075/M/-X	ZENER DIODE	
D1581	MA3200/M/-X	ZENER DIODE	
D1582	RGP10J-TS-T3	SI. DIODE	
D1651-52	MA111-X	SI. DIODE	
D1653	MTZJ18A-T2	ZENER DIODE	
D1701	MA111-X	SI. DIODE	
D1704	L-132XID-T16	L. E. D. (RED)	
D1705	L-132XND-T16	L. E. D. (RED)	
D1706-07	MA111-X	SI. DIODE	
D1731	MA111-X	SI. DIODE	
△ D1901	G2SBA60	BRIDGE DIODE	
D1921	RGP10J-TS-T3	SI. DIODE	
D1922-24	MA111-X	SI. DIODE	
D1926	MA3056/M/-X	ZENER DIODE	
D1927	MA3068/M/-X	ZENER DIODE	
D1929	RD12E/B2/-T5	ZENER DIODE	
D1930	EG1A-T3	SI. DIODE	
D1932	MA111-X	SI. DIODE	
D1933	RD27E/B2/-T5	ZENER DIODE	
D1941	RU3AM-LFC4	SI. DIODE	
D1942	RU3YX-LFC4	SI. DIODE	
D1943	RGP10J-TS-T3	SI. DIODE	
△ D1945	MA3075/H/-X	ZENER DIODE	
D1982-83	MA111-X	SI. DIODE	
TRANSISTOR			
Q1102	2SC5083/L-P/-T	SI. TRANSISTOR	
Q1103	DTC124EKA-X	DIGI. TRANSISTOR	
Q1301	2SA1037AK/QR/-X	SI. TRANSISTOR	
Q1302	2SC2412K/QR/-X	SI. TRANSISTOR	
Q1351-53	2SC3271F	SI. TRANSISTOR	
Q1371-73	2SC2412K/QR/-X	SI. TRANSISTOR	
Q1401	DTC124ESA-T	DIGI. TRANSISTOR	
Q1402-04	2SC2412K/QR/-X	SI. TRANSISTOR	

[AV-21LTR1 / AV-2104TEE]

Symbol No.	Part No.	Part Name	Description
TRANSISTOR			
Q1521	25K3065-W	F. E. T.	
△ Q1522	25C5388-CA	SI. TRANSISTOR	H. OUT
Q1523-24	25C2412K/QR/-X	SI. TRANSISTOR	
Q1571	25A1208/ST/Z1-T	SI. TRANSISTOR	
Q1572	25C2412K/QR/-X	SI. TRANSISTOR	
Q1651	25A1037AK/QR/-X	SI. TRANSISTOR	
Q1652	DTC323TK-X	DIGI. TRANSISTOR	
Q1654-55	25C2412K/QR/-X	SI. TRANSISTOR	
Q1702	25C2412K/QR/-X	SI. TRANSISTOR	
Q1703	DTC124EKA-X	DIGI. TRANSISTOR	
Q1708	DTC124EKA-X	DIGI. TRANSISTOR	
Q1709	25A1037AK/QR/-X	SI. TRANSISTOR	
Q1803	25C1815/YG/-T	SI. TRANSISTOR	
Q1804	25C2412K/QR/-X	SI. TRANSISTOR	
Q1821	25A1037AK/QR/-X	SI. TRANSISTOR	
Q1822	25C2412K/QR/-X	SI. TRANSISTOR	
Q1824	25C2412K/QR/-X	SI. TRANSISTOR	
Q1825	DTC124EKA-X	DIGI. TRANSISTOR	
Q1941	25C2412K/QR/-X	SI. TRANSISTOR	
Q1943	DTC114EKA-X	DIGI. TRANSISTOR	
Q1974	25A966/OY/-T	SI. TRANSISTOR	
Q1975	DTC124EKA-X	DIGI. TRANSISTOR	
I C			
IC1301	NN5198K	I. C. (M)	
IC1371	TC4053BP/N/	I. C. (DIGI-MOS)	
IC1421	AN5539-LF	I. C. (MONO-ANA)	
IC1651	LA4287	I. C. (MONO-ANA)	
IC1652	SI-5003X-X	I. C. (HYBRID)	
IC1701	MN1873287JA1	I. C. (MICRO-COMP)	
IC1702	AT24C08-21DTT2	I. C.	(SERVICE)
IC1703	L78LR05E-MA	I. C. (MONO-ANA)	
IC1704	PIC-471435Y	IR DETECT UNIT	
IC1821	SDA5254-2-B003	I. C. (DIGI-OTHER)	
IC1921	STR-G6653	I. C. (HYBRID)	
△ IC1941	SE115N-LF12	I. C. (HYBRID)	
IC1971	BA51W12ST-V5	I. C. (MONO-ANA)	

Symbol No.	Part No.	Part Name	Description
OTHERS			
	LC30114-001C-H	L. E. D. HOLDER	
	CM35921-005-H	CDS HOLDER	
△ CP1981	ICP-N75-Y	I. C. PROTECT	
△ CP1982	ICP-N75-Y	I. C. PROTECT	
EF1801	CE42482-103Y	EMI FILTER	
△ F1901	QMF51E2-3R15J4	FUSE	3.15A
△ FC1901	CEMG002-001Z	FUSE CLIP	
J1002	QNN0384-001	PIN JACK	
J1003	CEMN065-001	PIN JACK	
J1004	CEMN065-002	PIN JACK	
J1005	QNS0165-001	PIN JACK	
K1001	QQR0621-002Z	BEADS CORE	
K1351	QQR0621-002Z	BEADS CORE	
K1421	QQR0582-001Z	BEADS CORE	
K1921-22	QQR1113-001Z	FERRITE BEADS	
K1923	QQR1114-001Z	FERRITE BEADS	
K1924	QQR1113-001Z	FERRITE BEADS	
K1941-43	QQR1113-001Z	FERRITE BEADS	
△ LF1901	QQR0527-002	LINE FILTER	
PC1701	PI241-04	C. D. S.	
△ PC1921	PC123F2	I. C. (PH. COUPLER)	
S1701	QSW0619-003Z	PUSH SWITCH	VOL+
S1702	QSW0619-003Z	PUSH SWITCH	VOL-
S1703	QSW0619-003Z	PUSH SWITCH	CH+
S1704	QSW0619-003Z	PUSH SWITCH	CH-
S1705	QSW0619-003Z	PUSH SWITCH	MENU
△ S1901	QSW0750-001	PUSH SWITCH	POWER SW
SF1102	QAX0594-001	SAW FILTER	
SF1122	QAX0325-001	SAW FILTER	
△ SK1351	CE42446-001	C. R. T. SOCKET	
△ TH1901	QADD0121-9R0	P. THERISTOR	
TU1001	QAU0191-002	TUNER	
△ VA1901	ERZV10V621CS	VARIATOR	
X1301	QAX0500-001Z	CRYSTAL	
X1302	CE42690-001Z	CRYSTAL	
X1701	FCR12.0M25	CER. RESONATOR	
X1821	QAX0669-001Z	CRYSTAL	

PRINTED WIRING BOARD PARTS LIST

[AV-21LTT1]

MAIN P.W. BOARD ASS'Y (SCG-1308A-H2)

△ Symbol No.	Part No.	Part Name	Description
RESISTOR			
R1002-03	NRSA02J-221X	MG R	220Ω 1/10W J
R1004	NRSA02J-563X	MG R	56kΩ 1/10W J
R1102	NRSA02J-750X	MG R	75Ω 1/10W J
R1103	NRSA02J-100X	MG R	10Ω 1/10W J
R1109	NRSA02J-682X	MG R	6.8kΩ 1/10W J
R1110	NRSA02J-272X	MG R	2.7kΩ 1/10W J
R1111	NRSA02J-181X	MG R	180Ω 1/10W J
R1112	NRSA02J-100X	MG R	10Ω 1/10W J
R1113	NRSA02J-101X	MG R	100Ω 1/10W J
R1114	NRSA02J-472X	MG R	4.7kΩ 1/10W J
R1115	NRSA02J-222X	MG R	2.2kΩ 1/10W J
R1117	NRSA02J-0R0X	MG R	0.0Ω 1/10W J
R1118	NRSA02J-222X	MG R	2.2kΩ 1/10W J
R1120	NRSA02J-391X	MG R	390Ω 1/10W J
R1121	NRSA02J-221X	MG R	220Ω 1/10W J
R1159	NRSA02J-184X	MG R	180kΩ 1/10W J
R1301	NRSA02J-221X	MG R	220Ω 1/10W J
R1302	NRSA02J-472X	MG R	4.7kΩ 1/10W J
R1303-05	NRSA02J-101X	MG R	100Ω 1/10W J
R1306	NRSA02J-221X	MG R	220Ω 1/10W J
R1307	NRSA02J-122X	MG R	1.2kΩ 1/10W J
R1308	NRSA02J-182X	MG R	1.8kΩ 1/10W J
R1312	NRSA02J-0R0X	MG R	0.0Ω 1/10W J
R1313	NRSA02J-102X	MG R	1kΩ 1/10W J
R1314	NRSA02J-102X	MG R	1kΩ 1/10W J
R1321	NRSA02J-152X	MG R	1.5kΩ 1/10W J
R1322	NRSA02J-272X	MG R	2.7kΩ 1/10W J
R1323	NRSA02J-103X	MG R	10kΩ 1/10W J
R1324	NRSA02J-102X	MG R	1kΩ 1/10W J
R1326	NRSA02J-101X	MG R	100Ω 1/10W J
R1327	NRSA02J-475X	MG R	4.7MΩ 1/10W J
R1333	NRSA02J-681X	MG R	680Ω 1/10W J
R1341	NRSA02J-332X	MG R	3.3kΩ 1/10W J
R1347	NRSA02J-392X	MG R	3.9kΩ 1/10W J
R1349	NRSA02J-472X	MG R	4.7kΩ 1/10W J
R1351-53	NRSA02J-151X	MG R	150Ω 1/10W J
R1354-56	NRSA02J-331X	MG R	330Ω 1/10W J
R1357-59	NRSA02J-101X	MG R	100Ω 1/10W J
R1360-62	QRZ0107-152Z	C R	1.5kΩ 1/2W K
R1363-65	QRL029J-123	OM R	12kΩ 2W J
R1366-68	NRSA02J-182X	MG R	1.8kΩ 1/10W J
R1372	NRSA02J-682X	MG R	6.8kΩ 1/10W J
R1373	NRSA02J-102X	MG R	1kΩ 1/10W J
R1374	NRSA02J-472X	MG R	4.7kΩ 1/10W J
R1375	NRSA02J-153X	MG R	15kΩ 1/10W J
R1376	NRSA02J-562X	MG R	5.6kΩ 1/10W J
R1377-79	NRSA02J-104X	MG R	100kΩ 1/10W J
R1380-82	NRSA02J-154X	MG R	150kΩ 1/10W J
R1383	NRSA02J-273X	MG R	27kΩ 1/10W J
R1384	NRSA02J-472X	MG R	4.7kΩ 1/10W J
R1385	NRSA02J-123X	MG R	12kΩ 1/10W J
R1401	NRSA02J-103X	MG R	10kΩ 1/10W J
R1421-22	NRSA02J-122X	MG R	1.2kΩ 1/10W J
R1423	NRSA02J-331X	MG R	330Ω 1/10W J
R1424	NRSA02J-101X	MG R	100Ω 1/10W J
R1425	NRSA02J-471X	MG R	470Ω 1/10W J
R1426	NRSA02J-0R0X	MG R	0.0Ω 1/10W J
R1430	NRSA02J-823X	MG R	82kΩ 1/10W J
R1431	NRSA02J-103X	MG R	10kΩ 1/10W J
R1432-33	QRE121J-2R7Y	C R	2.7Ω 1/2W J
R1436	NRSA02J-823X	MG R	82kΩ 1/10W J
R1437	NRSA02J-822X	MG R	8.2kΩ 1/10W J
R1438	NRSA02J-223X	MG R	22kΩ 1/10W J
R1439	NRSA02J-104X	MG R	100kΩ 1/10W J
R1440	QRE121J-471Y	C R	470Ω 1/2W J
R1441	NRSA02J-822X	MG R	8.2kΩ 1/10W J
R1442	NRSA02J-103X	MG R	10kΩ 1/10W J

△ Symbol No.	Part No.	Part Name	Description
RESISTOR			
R1443	QRE121J-1R0Y	C R	1.0Ω 1/2W J
R1453	NRSA02J-272X	MG R	2.7kΩ 1/10W J
R1501	QRE121J-101Y	C R	100Ω 1/2W J
R1502	NRSA02J-0R0X	MG R	0.0Ω 1/10W J
R1503	NRSA02J-682X	MG R	6.8kΩ 1/10W J
R1521	NRSA02J-681X	MG R	680Ω 1/10W J
R1522	NRSA02J-103X	MG R	10kΩ 1/10W J
R1524-25	QRL02EJ-820X	OM R	8Ω 2W J
R1526	QRE121J-270Y	C R	27Ω 1/2W J
R1528	QRE121J-471Y	C R	470Ω 1/2W J
R1530	QRE121J-223Y	C R	22kΩ 1/2W J
R1531	NRSA02J-472X	MG R	4.7kΩ 1/10W J
R1532	NCB31HK-103X	C CAP.	0.01μF 50V K
R1533-34	NRSA02J-332X	MG R	3.3kΩ 1/10W J
△ R1551	QRZ9011-1R0	F R	1.0 Ω 1/2W J
△ R1552	QRJ146J-2R2X	C R	2.2Ω 1/4W J
R1554	QRE121J-681Y	C R	680Ω 1/2W J
R1571	QRE121J-222Y	C R	2.2kΩ 1/2W J
R1573-74	QRT02EJ-1R5X	MF R	1.5Ω 2W J
R1576	QRE121J-223Y	C R	22kΩ 1/2W J
R1577	NRSA02J-392X	MG R	3.9kΩ 1/10W J
R1578	NRSA02J-103X	MG R	10kΩ 1/10W J
R1581	QRE121J-182Y	C R	1.8kΩ 1/2W J
△ R1582	NRSA02J-223X	MG R	22kΩ 1/10W J
R1583	NRSA02J-393X	MG R	39kΩ 1/10W J
R1651	NRSA02J-103X	MG R	10kΩ 1/10W J
R1652	NRSA02J-102X	MG R	1kΩ 1/10W J
R1653	QRE121J-1R0Y	C R	1.0Ω 1/2W J
R1654	QRX029J-4R7	MF R	4.7Ω 2W J
R1656	NRSA02J-123X	MG R	12kΩ 1/10W J
R1657	NRSA02J-391X	MG R	390Ω 1/10W J
R1658	NRSA02J-102X	MG R	1kΩ 1/10W J
R1659	NRSA02J-102X	MG R	1kΩ 1/10W J
R1660	NRSA02J-103X	MG R	10kΩ 1/10W J
R1661-62	QRE121J-271Y	C R	270Ω 1/2W J
R1664	NRSA02J-221X	MG R	220Ω 1/10W J
R1665	NRSA02J-103X	MG R	10kΩ 1/10W J
R1701	NRSA02J-562X	MG R	5.6kΩ 1/10W J
R1702	NRSA02J-682X	MG R	6.8kΩ 1/10W J
R1703	NRSA02J-392X	MG R	3.9kΩ 1/10W J
R1704-05	NRSA02J-221X	MG R	220Ω 1/10W J
R1706-07	NRSA02J-561X	MG R	560Ω 1/10W J
R1708	NRSA02J-102X	MG R	1kΩ 1/10W J
R1709-14	NRSA02J-472X	MG R	4.7kΩ 1/10W J
R1715-16	NRSA02J-221X	MG R	220Ω 1/10W J
R1718	NRSA02J-561X	MG R	560Ω 1/10W J
R1719	NRSA02J-102X	MG R	1kΩ 1/10W J
R1720	NRSA02J-472X	MG R	4.7kΩ 1/10W J
△ R1721	NRSA02J-103X	MG R	10kΩ 1/10W J
R1723	QRZ9023-270	F R	27Ω 2W J
R1725	NRSA02J-102X	MG R	1kΩ 1/10W J
R1726	NRSA02J-472X	MG R	4.7kΩ 1/10W J
R1727	NRSA02J-153X	MG R	15kΩ 1/10W J
R1728	NRSA02J-102X	MG R	1kΩ 1/10W J
R1729	NRSA02J-102X	MG R	1kΩ 1/10W J
R1730	NRSA02J-103X	MG R	10kΩ 1/10W J
R1731	NRSA02J-472X	MG R	4.7kΩ 1/10W J
R1736	NRSA02J-823X	MG R	82kΩ 1/10W J
R1737	NRSA02J-104X	MG R	100kΩ 1/10W J
R1738-39	NRSA02J-103X	MG R	10kΩ 1/10W J
R1740	NRSA02J-392X	MG R	3.9kΩ 1/10W J
R1741	NRSA02J-561X	MG R	560Ω 1/10W J
R1742	NRSA02J-563X	MG R	56kΩ 1/10W J
R1745	NRSA02J-472X	MG R	4.7kΩ 1/10W J
R1746	NRSA02J-103X	MG R	10kΩ 1/10W J
R1747	NRSA02J-0R0X	MG R	0.0Ω 1/10W J
R1748	NRSA02J-103X	MG R	10kΩ 1/10W J

[AV-21LTT1]

△ Symbol No.	Part No.	Part Name	Description
RESISTOR			
R1749	NRSA02J-472X	MG R	4.7kΩ 1/10W J
R1771-72	NRSA02J-821X	MG R	820Ω 1/10W J
R1791-95	NRSA02J-221X	MG R	220Ω 1/10W J
R1796	NRSA02J-154X	MG R	150kΩ 1/10W J
R1797	NRSA02J-153X	MG R	15kΩ 1/10W J
R1802	NRSA02J-750X	MG R	75Ω 1/10W J
R1806	QRE121J-271Y	C R	270Ω 1/2W J
R1807	NRSA02J-680X	MG R	68Ω 1/10W J
R1810	QRG01GJ-560	OM R	56Ω 1W J
R1811	NRSA02J-221X	MG R	220Ω 1/10W J
R1815	QRE121J-181Y	C R	180Ω 1/2W J
R1816	NRSA02J-681X	MG R	680Ω 1/10W J
R1817	NRSA02J-472X	MG R	4.7kΩ 1/10W J
R1825	NRSA02J-221X	MG R	220Ω 1/10W J
R1827	NRSA02J-102X	MG R	1kΩ 1/10W J
R1828	NRSA02J-272X	MG R	2.7kΩ 1/10W J
R1830	NRSA02J-273X	MG R	27kΩ 1/10W J
R1831	NRSA02J-105X	MG R	1MΩ 1/10W J
R1832	NRSA02J-221X	MG R	220Ω 1/10W J
R1833	NRSA02J-822X	MG R	8.2kΩ 1/10W J
R1834	NRSA02J-393X	MG R	39kΩ 1/10W J
R1835	NRSA02J-182X	MG R	1.8kΩ 1/10W J
R1836	NRSA02J-473X	MG R	47kΩ 1/10W J
R1837	NRSA02J-393X	MG R	39kΩ 1/10W J
R1838	NRSA02J-103X	MG R	10kΩ 1/10W J
R1839	NRSA02J-472X	MG R	4.7kΩ 1/10W J
R1840	NRSA02J-331X	MG R	330Ω 1/10W J
R1841	NRSA02J-472X	MG R	4.7kΩ 1/10W J
R1842	NRSA02J-331X	MG R	330Ω 1/10W J
R1843	NRSA02J-472X	MG R	4.7kΩ 1/10W J
R1844	NRSA02J-331X	MG R	330Ω 1/10W J
R1845	NRSA02J-102X	MG R	1kΩ 1/10W J
R1846	NRSA02J-103X	MG R	10kΩ 1/10W J
R1847	NRSA02J-182X	MG R	1.8kΩ 1/10W J
R1848	NRSA02J-102X	MG R	1kΩ 1/10W J
R1849	NRSA02J-153X	MG R	15kΩ 1/10W J
△ R1901	QRF104K-3R9	UNF R	3.9Ω 10W K
R1903	QRL02EJ-683X	OM R	68kΩ 2W J
R1904	QRL03EJ-151X	OM R	150Ω 3W J
R1921	QRE121J-681Y	C R	680Ω 1/2W J
△ R1922	QRT029J-1R2	MF R	1.2Ω 2W J
R1923	QRM059J-R22	MP R	0.22Ω 5W J
R1926	NRSA02J-222X	MG R	2.2kΩ 1/10W J
R1928	QRL03EJ-563X	OM R	56kΩ 3W J
R1929	QRE121J-822Y	C R	8.2kΩ 1/2W J
R1932	QRE121J-564Y	C R	560kΩ 1/2W J
R1933	QRE121J-220Y	C R	22Ω 1/2W J
R1934	NRSA02J-333X	MG R	33kΩ 1/10W J
R1936	QRG01GJ-561	OM R	560Ω 1W J
R1941	QRE121J-821Y	C R	820Ω 1/2W J
R1942	NRSA02J-122X	MG R	1.2kΩ 1/10W J
R1943	NRSA02J-473X	MG R	47kΩ 1/10W J
R1944	NRSA02J-103X	MG R	10kΩ 1/10W J
R1974	NRSA02J-222X	MG R	2.2kΩ 1/10W J
R1976	NRSA02J-102X	MG R	1kΩ 1/10W J
R1977	QRE121J-122Y	C R	1.2kΩ 1/2W J
R1978	NRSA02J-473X	MG R	47kΩ 1/10W J
R1979	QRT02EJ-1R2X	MF R	1.2Ω 2W J
R1980	QRL02EJ-103X	OM R	10kΩ 2W J
△ R1991	QRZ0057-825	C R	8.2MΩ 1W J

CAPACITOR

C1001	QETN1HM-106Z	E CAP.	10μF 50V M
C1002	NCB31HK-103X	C CAP.	0.01μF 50V K
C1004	QETN1CM-477Z	E CAP.	470μF 16V M
C1005	QFV71HJ-104Z	MF CAP.	0.1μF 50V J
C1008	QETN1HM-475Z	E CAP.	4.7μF 50V M
C1103	QETN1EM-476Z	E CAP.	47μF 25V M
C1104-07	NCB31HK-472X	C CAP.	4700pF 50V K
C1109	NCB31HK-472X	C CAP.	4700pF 50V K

△ Symbol No.	Part No.	Part Name	Description
CAPACITOR			
C1110	NRSA02J-0R0X	MG R	0.0Ω 1/10W J
C1112	QETN1EM-476Z	E CAP.	47μF 25V M
C1113	NCB31HK-472X	C CAP.	4700pF 50V K
C1115-16	NCB31HK-103X	C CAP.	0.01μF 50V K
C1117	QFV71HJ-224Z	MF CAP.	0.22μF 50V J
C1119	QETN1HM-474Z	E CAP.	0.47μF 50V M
C1120	NDC31HJ-121X	C CAP.	120pF 50V J
C1121-22	NCB31HK-103X	C CAP.	0.01μF 50V K
C1162	NCB31HK-152X	CHIP CAP.	1500pF 50V K
C1301	NCB21HK-123X	C CAP.	0.012μF 50V K
C1302	QETN1HM-475Z	E CAP.	4.7μF 50V M
C1303	NDC31HJ-100X	C CAP.	10pF 50V J
C1304	QFV71HJ-474Z	MF CAP.	0.47μF 50V J
C1305	QETN1HM-474Z	E CAP.	0.47μF 50V M
C1306	NCB31HK-103X	C CAP.	0.01μF 50V K
C1307	QETN1CM-477Z	E CAP.	470μF 16V M
C1308	QETN1CM-107Z	E CAP.	100μF 16V M
C1309	NCB31HK-103X	C CAP.	0.01μF 50V K
C1310	NDC31HJ-221X	C CAP.	220pF 50V J
C1311	NCB31HK-103X	C CAP.	0.01μF 50V K
C1312	QENC1HM-474Z	BP E CAP.	0.47μF 50V M
C1313	QETN1HM-335Z	E CAP.	3.3μF 50V M
C1314	NCB31HK-103X	C CAP.	0.01μF 50V K
C1315	QETN1CM-107Z	E CAP.	100μF 16V M
C1316	QETN1HM-106Z	E CAP.	10μF 50V M
C1317	NCB31EK-473X	CHIP CAP.	0.047μF 25V K
C1321	NDC31HJ-120X	C CAP.	120pF 50V J
C1322	NCB21HK-273X	C CAP.	0.027μF 50V K
C1323	QETN1HM-474Z	E CAP.	0.47μF 50V M
C1324	QETN1HM-106Z	E CAP.	10μF 50V M
C1325	QENC1HM-106Z	BP E CAP.	10μF 50V M
C1326	NCS21HJ-221X	C CAP.	220pF 50V J
C1341	QETN1HM-106Z	E CAP.	10μF 50V M
△ C1352	QFZ0097-103	MM CAP.	0.01μF 1250V K
C1354	NDC31HJ-271X	C R	270pF 50V J
C1355	NDC31HJ-221X	C CAP.	220pF 50V J
C1356	NDC31HJ-331X	C CAP.	330pF 50V J
C1357	QETN1AM-477Z	E CAP.	470μF 10V M
C1365-67	QENC1HM-105Z	BP E CAP.	1μF 50V M
C1401	QFV71HJ-474Z	MF CAP.	0.47μF 50V J
C1402	QFV71HJ-104Z	MF CAP.	0.1μF 50V J
C1422	QETN1HM-105Z	E CAP.	1μF 50V M
C1423	QCS32HJ-180Z	C CAP.	18pF 500V J
C1424	QFLC2AJ-103Z	M CAP.	0.01μF 100V J
C1426	QFLC1HJ-102Z	M CAP.	1000pF 50V J
C1427	QETN1VM-107Z	E CAP.	100μF 35V M
C1428	QEH1VM-107Z	E CAP.	100μF 35V M
C1429	QETN1HM-106Z	E CAP.	10μF 50V M
C1430	QFN32AJ-472Z	M CAP.	4700pF 100V J
C1433	QEH1HM-475Z	E CAP.	4.7μF 50V M
C1435	QETM1EM-228	E CAP.	2200μF 25V M
C1436	QFV71HJ-334Z	MF CAP.	0.33μF 50V J
C1501	QETN1HM-476Z	E CAP.	47μF 50V M
C1502	NCB31HK-103X	C CAP.	0.01μF 50V K
C1503	QETN1HM-106Z	E CAP.	10μF 50V M
C1504	QETN1CM-227Z	E CAP.	220μF 16V M
C1523	QTMN1VM-476Z	E CAP.	47μF 35V M
△ C1525	QFZ0200-90Z	MPP CAP.	9000pF1.5KV ±3%
C1526	QTMN1EM-337Z	E CAP.	330μF 25V M
△ C1527	QFZ0199-154	MPP CAP.	0.15μF 250V J
C1528	QETN2EM-475Z	E CAP.	4.7μF 250V M
C1530	QCB32HK-561Z	C CAP.	560pF 500V K
C1531	QEZO203-107	E CAP.	100μF 160V M
C1552	QETM1VM-108	E CAP.	1000μF 35V M
C1554	QETN2EM-475Z	E CAP.	4.7μF 250V M
C1555	QFLC2AJ-104Z	M CAP.	0.1μF 100V J
C1571	QETN1AM-107Z	E CAP.	100μF 10V M
C1572	QETN1EM-476Z	E CAP.	47μF 25V M
C1581	QFV71HJ-104Z	MF CAP.	0.1μF 50V J
△ C1582	QFZ0199-124	MPP CAP.	0.12μF 250V J
C1651	QTN1CM-105Z	E CAP.	1.0μF 50V M
C1652-53	QEH1HM-106Z	E CAP.	10μF 50V M

[AV-21LTT1]

Symbol No.	Part No.	Part Name	Description
CAPACITOR			
C1654	NCB21HK-104X	CHIP CAP.	0.1µF 50V K
C1655	QEHR1VM-228	E CAP.	2200µF 35V M
C1656	QEHR1EM-477Z	E CAP.	470µF 25V M
C1658	QETN1HM-226Z	E CAP.	22µF 50V M
C1659	QETN1CM-107Z	E CAP.	100µF 16V M
C1663	QEHR1HM-106Z	E CAP.	10µF 50V M
C1664	NCB21HK-104X	CHIP CAP.	0.1µF 50V K
C1665	QEHR1HM-105Z	E CAP.	1µF 50V M
C1701	QETN1HM-106Z	E CAP.	10µF 50V M
C1705	QETN1CM-477Z	E CAP.	470µF 16V M
C1706	NCB21EK-104X	C CAP.	0.1µF 25V K
C1707	NCB31HK-103X	C CAP.	0.01µF 50V K
C1708	QETN1EM-476Z	E CAP.	47µF 25V M
C1709	NCB31HK-103X	C CAP.	0.01µF 50V K
C1710	QETN1CM-107Z	E CAP.	100µF 16V M
C1711-13	NCB31HK-103X	C CAP.	0.01µF 50V K
C1714-15	NDC31HJ-330X	C CAP.	33pF 50V J
C1716-17	NDC31HJ-181X	C CAP.	180pF 50V J
C1718	NCB31HK-103X	C CAP.	0.01µF 50V K
C1719	QETN1HM-105Z	E CAP.	1µF 50V M
C1720	NCB31HK-103X	C CAP.	0.01µF 50V K
C1721	NCB21HK-333X	C CAP.	0.033µF 50V K
C1722	NDC31HJ-101X	C CAP.	100pF 50V J
C1724	NDC31HJ-560X	C CAP.	56pF 50V J
C1728-29	NDC31HJ-181X	C CAP.	180pF 50V J
C1730	NCB31HK-103X	C CAP.	0.01µF 50V K
C1738	QETN1HM-226Z	E CAP.	22µF 50V M
C1741-43	QETN1HM-106Z	E CAP.	10µF 50V M
C1744	NCB31HK-103X	C CAP.	0.01µF 50V K
C1805	QETN1CM-227Z	E CAP.	220µF 16V M
C1806	QETN1CM-477Z	E CAP.	470µF 16V M
C1811	QETN1HM-106Z	E CAP.	10µF 50V M
C1821	QETN1CM-107Z	E CAP.	100µF 16V M
C1822	NCB31HK-103X	C CAP.	0.01µF 50V K
C1823	NDC31HJ-330X	C CAP.	33pF 50V J
C1824	NDC31HJ-390X	C CAP.	39pF 50V J
C1825	QETN1HM-105Z	E CAP.	1µF 50V M
C1826	NCB21HK-333X	C CAP.	0.033µF 50V K
C1828-29	NCB31HK-103X	C CAP.	0.01µF 50V K
C1830	NDC31HJ-470X	C CAP.	47pF 50V J
C1831	QFV71HJ-334Z	MF CAP.	0.33µF 50V J
C1832	NCB31HK-103X	C CAP.	0.01µF 50V K
C1833	NDC31HJ-680X	C CAP.	68pF 50V J
C1834	NDC31HJ-330X	C CAP.	33pF 50V J
C1835	NDC31HJ-221X	C CAP.	220pF 50V J
C1836-38	QETN1HM-335Z	E CAP.	3.3µF 50V M
C1839	NDC31HJ-471X	C CAP.	470pF 50V J
C1841	NCB31HK-152X	CHIP CAP.	1500pF 50V K
△ C1843-49	NCB31HK-103X	C CAP.	0.01µF 50V K
△ C1901	QFZ9040-104	MF CAP.	0.1µF AC275V M
△ C1904	QCZ9078-222	C CAP.	2200pFAC250V M
△ C1905	QCZ9078-222	C CAP.	2200pFAC250V M
△ C1907	QCZ9078-222	C CAP.	2200pFAC250V M
△ C1909	QEZO199-127	E CAP.	120µF 400V M
△ C1910	QFZ9040-473	MF CAP.	0.047µFAC275V M
△ C1922	QFLC1HJ-471Z	M CAP.	470pF 50V J
C1924	QETN1VM-107Z	E CAP.	100µF 35V M
C1926	QFLC1HJ-332Z	M CAP.	3300pF 50V J
C1928	NCB21HK-473X	C CAP.	0.047µF 50V K
C1929	QFP32GJ-223Z	PP CAP.	0.022µF 400V J
C1930	QCZ0325-561	C CAP.	560pF 2kV K
C1931-32	QCZ0325-151	C CAP.	150pF 2kV K
C1941	QCZ0122-561	C CAP.	560pF 2kV K
C1942	QEZO420-107	E CAP.	100µF 160V M
C1945	QEHR1CM-108Z	E CAP.	1000µF 16V M
C1946	QEHR1CM-477Z	E CAP.	470µF 16V M
C1948	QEHR1VM-108Z	E CAP.	1000µF 35V M
C1949	NDC31HJ-471X	C CAP.	470pF 50V J
C1950	NCB21HK-104X	CHIP CAP.	0.1µF 50V K
C1971	QETN1HM-226Z	E CAP.	22µF 50V M
C1976	QETN1HM-105Z	E CAP.	1µF 50V M
C1977	QETN1CM-477Z	E CAP.	470µF 16V M

Symbol No.	Part No.	Part Name	Description
CAPACITOR			
C1978	QETN1CM-227Z	E CAP.	220µF 16V M
C1979	QETN1CM-107Z	E CAP.	100µF 16V M
△ C1991	QCZ9079-102	C CAP.	1000pFAC250V M
△ C1992	QCZ9079-102	C CAP.	1000pFAC250V M
△ C1993	QCZ9079-102	C CAP.	1000pFAC250V M

Symbol No.	Part No.	Part Name	Description
TRANSFORMER			
△ T1522	QOH0069-001	H. V. TRANSF.	
△ T1921	QOS0050-001	SWITCH. TRANSF.	

Symbol No.	Part No.	Part Name	Description
COIL			
L1001	QQL244K-8R2Z	COIL	8.2µH K
L1101	QQLZ014-2R2	PEAKING COIL	
L1103	QQL244K-8R2Z	COIL	8.2µH K
L1331	QQL244K-470Z	COIL	47µH K
L1522	QQR1005-004	LINEARITY COIL	
L1523	QQL342J-2R2Z	INDUCTOR	
L1551	QQLZ034-860	HEATER CHOKE	
L1701	QQL244J-5R6Z	COIL	5.6µH J
L1821	QQL244J-5R6Z	COIL	5.6µH J
L1941-43	QQL26AK-820Z	COIL	82µH K

Symbol No.	Part No.	Part Name	Description
DIODE			
D1001	MA3330/L/-X	ZENER DIODE	
D1102	1SS85-T2	SI. DIODE	
D1301-02	MA3091/M/-X	ZENER DIODE	
D1305	RB100A-T2	SI. DIODE	
D1306	1SR124-400A-T2	SI. DIODE	
D1341-42	MA111-X	SI. DIODE	
D1372-73	MA111-X	SI. DIODE	
D1421-22	MA3360/M/-X	ZENER DIODE	
D1423	1SR124-400A-T2	SI. DIODE	
D1424-25	MA111-X	SI. DIODE	
D1427	MA3270/H/-X	ZENER DIODE	
D1551	RGP10J-TS-T3	SI. DIODE	
D1552	RH15-T3	SI. DIODE	
D1553	MA3091/M/-X	ZENER DIODE	
D1554	MA111-X	SI. DIODE	
D1555	1SR124-400A-T2	SI. DIODE	
D1571	MA3075/M/-X	ZENER DIODE	
D1581	MA3200/M/-X	ZENER DIODE	
D1582	RGP10J-TS-T3	SI. DIODE	
D1651-52	MA111-X	SI. DIODE	
D1653	MT2J18A-T2	ZENER DIODE	
D1701	MA111-X	SI. DIODE	
D1704	L-132X1D-T16	L. E. D. (RED)	
D1705	L-132XND-T16	L. E. D. (RED)	
D1706-07	MA111-X	SI. DIODE	
D1731	MA111-X	SI. DIODE	
△ D1901	G2SBA60	BRIDGE DIODE	
D1921	RGP10J-TS-T3	SI. DIODE	
D1922-24	MA111-X	SI. DIODE	
D1926	MA3056/M/-X	ZENER DIODE	
D1927	MA3068/M/-X	ZENER DIODE	
D1929	RD12E/B2/-T5	ZENER DIODE	
D1930	EG1A-T3	SI. DIODE	
D1932	MA111-X	SI. DIODE	
D1933	RD27E/B2/-T5	ZENER DIODE	
D1941	RU3AM-LFC4	SI. DIODE	
D1942	RU3YX-LFC4	SI. DIODE	
D1943	RGP10J-TS-T3	SI. DIODE	
△ D1945	MA3075/H/-X	ZENER DIODE	
D1982-83	MA111-X	SI. DIODE	

Symbol No.	Part No.	Part Name	Description
TRANSISTOR			
Q1102	2SC5083/L-P/-T	SI. TRANSISTOR	
Q1103	DTC124EKA-X	DIGI. TRANSISTOR	
Q1301	2SA1037AK/QR/-X	SI. TRANSISTOR	
Q1302	2SC2412K/QR/-X	SI. TRANSISTOR	
Q1351-53	2SC3271F	SI. TRANSISTOR	
Q1371-73	2SC2412K/QR/-X	SI. TRANSISTOR	

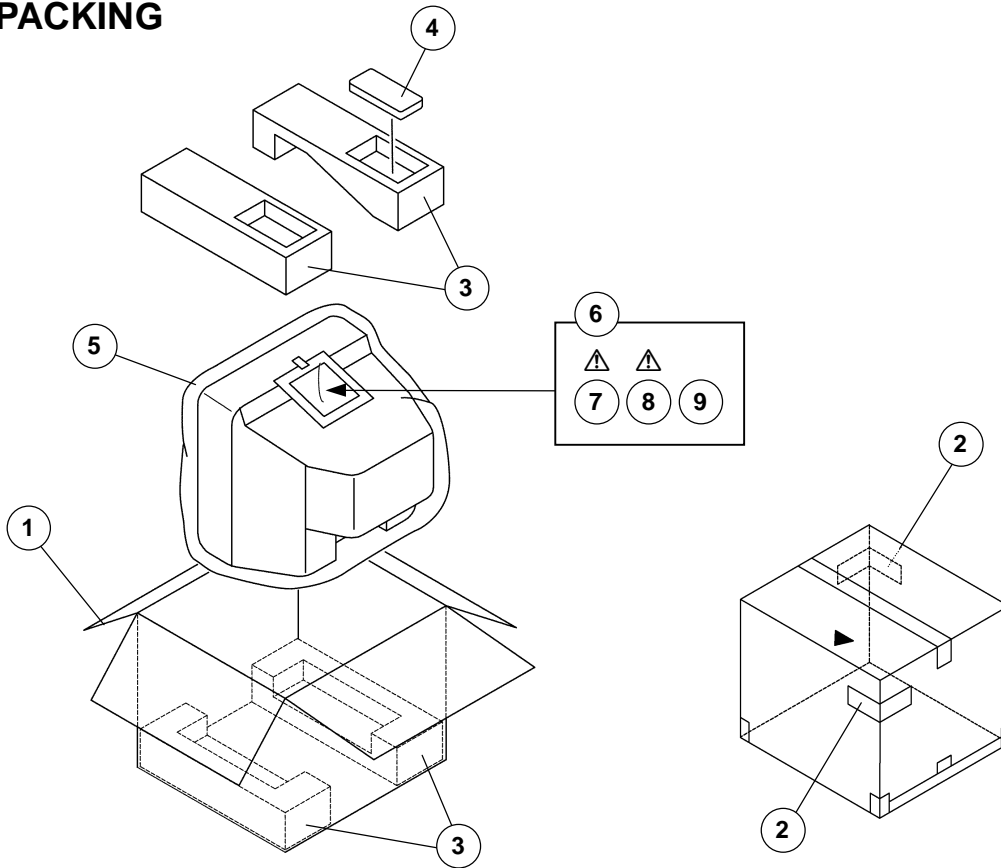
[AV-21LTT1]

Symbol No.	Part No.	Part Name	Description
TRANSISTOR			
Q1401	DTC124ESA-T	DIGI. TRANSISTOR	
Q1402-04	2SC2412K/QR/-X	SI. TRANSISTOR	
Q1521	2SK3065-W	F. E. T.	
△ Q1522	2SC5388-CA	SI. TRANSISTOR	H. OUT
Q1523-24	2SC2412K/QR/-X	SI. TRANSISTOR	
Q1571	2SA1208/ST/Z1-T	SI. TRANSISTOR	
Q1572	2SC2412K/QR/-X	SI. TRANSISTOR	
Q1651	2SA1037AK/QR/-X	SI. TRANSISTOR	
Q1652	DTC323TK-X	DIGI. TRANSISTOR	
Q1654-55	2SC2412K/QR/-X	SI. TRANSISTOR	
Q1702	2SC2412K/QR/-X	SI. TRANSISTOR	
Q1703	DTC124EKA-X	DIGI. TRANSISTOR	
Q1708	DTC124EKA-X	DIGI. TRANSISTOR	
Q1709	2SA1037AK/QR/-X	SI. TRANSISTOR	
Q1803	2SC1815/YG/-T	SI. TRANSISTOR	
Q1804	2SC2412K/QR/-X	SI. TRANSISTOR	
Q1821	2SA1037AK/QR/-X	SI. TRANSISTOR	
Q1822	2SC2412K/QR/-X	SI. TRANSISTOR	
Q1824	2SC2412K/QR/-X	SI. TRANSISTOR	
Q1825	DTC124EKA-X	DIGI. TRANSISTOR	
Q1941	2SC2412K/QR/-X	SI. TRANSISTOR	
Q1943	DTC114EKA-X	DIGI. TRANSISTOR	
Q1974	2SA966/OY/-T	SI. TRANSISTOR	
Q1975	DTC124EKA-X	DIGI. TRANSISTOR	
I C			
IC1301	NN5198K	I. C. (M)	
IC1371	TC4053BP/N/	I. C. (DIGI-MOS)	
IC1421	AN5539-LF	I. C. (MONO-ANA)	
IC1651	LA4287	I. C. (MONO-ANA)	
IC1652	SI-5003X-X	I. C. (HYBRID)	
IC1701	MN1873287JB1	I. C. (MICRO-COMP)	
IC1702	AT24C08-21DTT2	I. C.	(SERVICE)
IC1703	L78LR05E-MA	I. C. (MONO-ANA)	
IC1704	PIC-47143SY	IR DETECT UNIT	
IC1821	SDA5254-2-B004	I. C. (DIGI-OTHER)	
IC1921	STR-G6653	I. C. (HYBRID)	
△ IC1941	SE115N-LF12	I. C. (HYBRID)	
IC1971	BA51W12ST-V5	I. C. (MONO-ANA)	

Symbol No.	Part No.	Part Name	Description
OTHERS			
	LC30114-001C-H	L. E. D. HOLDER	
	CM35921-005-H	CDS HOLDER	
△ CP1981	ICP-N75-Y	I. C. PROTECT	
△ CP1982	ICP-N75-Y	I. C. PROTECT	
EF1801	CE42482-103Y	EMI FILTER	
△ F1901	QMF51E2-3R15J4	FUSE	3.15A
△ FC1901	CEMG002-001Z	FUSE CLIP	
J1002	QNN0384-001	PIN JACK	
J1003	CEMN065-001	PIN JACK	
J1004	CEMN065-002	PIN JACK	
J1005	QNS0165-001	PIN JACK	
K1001	QQR0621-002Z	BEADS CORE	
K1351	QQR0621-002Z	BEADS CORE	
K1421	QQR0582-001Z	BEADS CORE	
K1921-22	QQR1113-001Z	FERRITE BEADS	
K1923	QQR1114-001Z	FERRITE BEADS	
K1924	QQR1113-001Z	FERRITE BEADS	
K1941-43	QQR1113-001Z	FERRITE BEADS	
△ LF1901	QQR0527-002	LINE FILTER	
PC1701	PI241-04	C. D. S.	
△ PC1921	PC123F2	I. C. (PH. COUPLER)	
S1701	QSW0619-003Z	PUSH SWITCH	VOL+
S1702	QSW0619-003Z	PUSH SWITCH	VOL-
S1703	QSW0619-003Z	PUSH SWITCH	CH+
S1704	QSW0619-003Z	PUSH SWITCH	CH-
S1705	QSW0619-003Z	PUSH SWITCH	MENU
△ S1901	QSW0750-001	PUSH SWITCH	POWER SW
SF1102	QAX0594-001	SAW FILTER	
SF1122	QAX0325-001	SAW FILTER	
△ SK1351	CE42446-001	C. R. T. SOCKET	
△ TH1901	QAD0121-9R0	P. THERISTOR	
TU1001	QAU0191-002	TUNER	
△ VA1901	ERZV10V621CS	VARISTOR	
X1301	QAX0500-001Z	CRYSTAL	
X1302	CE42690-001Z	CRYSTAL	
X1701	FCR12.0M2S	CER. RESONATOR	
X1821	QAX0669-001Z	CRYSTAL	

AV-21LTR1
 AV-21LTT1
 AV-2104TEE

PACKING



PACKING PARTS LIST

△ Ref.No.	Part No.	Part Name	Description
AV-21LTR1			
1	GG10044-025A-H	PACKING CASE	
2	GG20012-001A-H	CORNER LABEL	(×2)
3	GG10131-001B-H	CUSHION ASSY	4pcs in 1set
4	RM-C90-1H	REMOCON UNIT	
5	CP30967-003-H	POLY BAG	
6	CP30966-001-H	POLY BAG	
△ 7	LCT1028-001A-H	INST BOOK	
AV-21LTT1			
1	GG10044-025A-H	PACKING CASE	
2	GG20012-001A-H	CORNER LABEL	(×2)
3	GG10131-001B-H	CUSHION ASSY	4pcs in 1set
4	RM-C90-1H	REMOCON UNIT	
5	CP30967-003-H	POLY BAG	
6	CP30966-001-H	POLY BAG	
△ 7	LCT0990-001B-H	INST BOOK	
△ 8	LCT0992-001B-H	DIGEST MANUAL	
AV-2104TEE			
1	GG10044-025A-H	PACKING CASE	
2	GG20012-001A-H	CORNER LABEL	(×2)
3	GG10131-001B-H	CUSHION ASSY	4pcs in 1set
4	RM-C90-1H	REMOCON UNIT	
5	CP30967-003-H	POLY BAG	
6	CP30966-001-H	POLY BAG	
△ 7	LCT1029-001A-H	INST BOOK	
9	BT-54012-2	WARRANTY CARD	

REMOTE CONTROL UNIT PARTS LIST (RM-C90-1H)

△ Ref.No.	Part No.	Part Name	Description
--	25-1168F	BATTERY COVER	

Memo

JVC

VICTOR COMPANY OF JAPAN, LIMITED

HOME AV NETWORK BUSINESS UNIT 12, 3-chome, Moriya-cho, Kanagawa-ku, Yokohama, Kanagawa-prefecture, 221-8528, Japan

AV21LTR1-H #4
AV21LTT1-H #4
AV2104TEE-H #999



VP 0110
DP3051